

Visualization Hardware.

HMI devices need to meet the combined requirements of technical necessity, convenience and aesthetic design in one, thus presenting the manufacturer with a host of challenges at the same time. Bachmann electronic offers a scalable selection of HMIs for a wide range of applications. This ranges from the compact web terminals of the 200/300 series to the compact industrial PCs of the 300 series right through to the modular IPC1400 system. Remote displays of the Dx900 series allow visualization to be implemented up to 100 m away from the central computer. The front plates of the operator units are made from aluminium and their function, colour and design can be adapted to customer requirements. The operating elements required can be implemented as real machine pushbuttons, with a foil keyboard or as touch screens. Their ergonomic and robust design make the terminals optimum HMI solutions for any application.

Web Terminals

Perfect visualization at the machine.

The web terminal series completes the range of Bachmann visualization systems for compact solutions with a highly attractive price-performance ratio.

The functionality of the web terminal is perfectly matched to meet the requirements of visualizations for small to medium-sized machine controllers and for use

as status and diagnostics terminals for system sections.

The reduction of features to the essential requirements enables the entire functionality to be contained in one module and internal interfaces to be kept to a minimum for an unbeatable compact design.



Web terminal WT200 series

WT205e, WT205, WT205V

Features

Display: 5.7" QVGA, 5.7" VGA, color TFT, opt. touch screen

Processor: AMD Geode LX700, 433 MHz

Working memory: 256 MB/512 MB

Compact Flash: \geq 512 MB

Operating system: VxWorks®

Interfaces: Ethernet, USB, RS232

M-JVIS Designer, Java programming

The simple integration of the web terminal in the automation environment is implemented via Ethernet, and USB is provided as an interface for service and operating elements.

An AMD Geode LX700 / 800 is used as the processor system. Based on a virtual machine, the web terminals with the M-JVIS visualization packet allow platform-independent programming using Java.



Web terminal WT300 series

WT306, WT310, WT312, WT315

Features

Display: 6.4" VGA / 10.4" VGA / 12.1" SVGA / 15" XGA, color TFT, opt. touch screen

Processor: AMD Geode LX800, 500 MHz

Working memory: 256 MB / 512 MB

Compact Flash: \geq 512 MB

Operating system: VxWorks®

Interfaces: Ethernet, USB, PS/2, RS232

M-JVIS Designer, Java programming

Web Terminals



WT200 series

The WT200 web terminal series offers an inexpensive entry into the world of visualization devices. Reduced to the essential, it is the ideal platform for the visualization of small machine control units, but can also be used as a status and diagnostics terminal for plant sections. The system is connected to the automation via Ethernet, and the device is provided with two USB2.0 interfaces for controlling operating elements. The system is ideally designed for Java visualizations using VxWorks®.

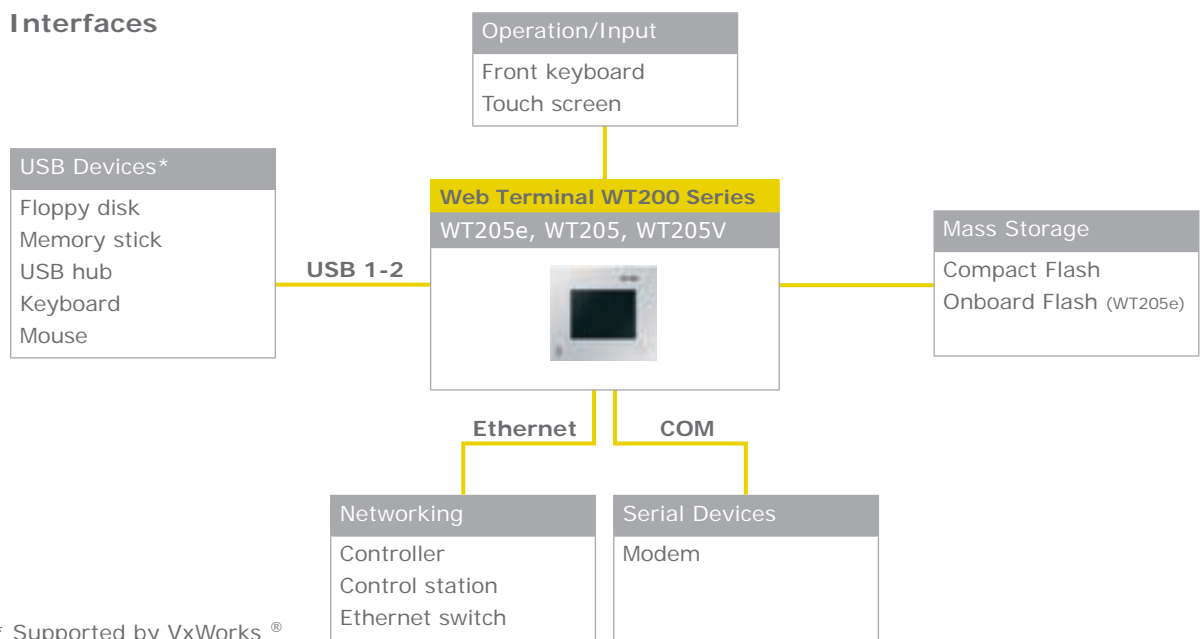


The web terminal is offered with a color TFT display in various screen resolutions. The front panel can be adapted to the specific requirements of the customers. The devices can be operated from a touch screen and / or an optional keyboard on the front panel.

- Extremely compact and powerful
- Fan-free operation up to +50°C
- Visualization with Bachmann M-JVIS tool (Java-based)
- 5.7" color TFT monitor with QVGA or VGA resolution

Article No.	Order No.
WT205e	on request
WT205	B-13779/00
WT205V	on request

Interfaces



WT200 Series	WT205e	WT205	WT205V
Display	5.7" QVGA (320 x 240)	5.7" QVGA (320 x 240)*	5.7" VGA (640 x 480)
Display type	color TFT		
Display luminance	350 cd/m ²		
Half luminance	min. 50 000 h		
Touch screen	-	optional	
Touch screen type	-	5.7" analog resistive	
Processor system	AMD Geode LX700, 433 MHz		
Working memory	256 / 512 MB		
CF memory	-	≥ 512 MB	
Flash memory	32 MB	-	-
CD-ROM (DVD)	USB connection		
FDD floppy drive	USB connection		
USB expansion	USB hub 4-fold		
Front keyboard	optional		
Number of front keys	max. 64		
System LEDs	Power, Diag		
Status LEDs	optional: 5x		
Ethernet 10 / 100	1x		
USB 2.0	2x		
RS232 / 422 / 485	1x		
Power supply	24 VDC (18 V .. 36 V)		
Operating temperature*	0°C .. 50°C fan-free		
Certified to	CE, UL, CSA, CUL, CCC		
Operating system	WindRiver VxWorks®		
Visualization	M-JVIS Designer / Java		
Dimensions (W x H x D)	219 x 196 x 49 mm		

* other temperature ranges on request

Web Terminals



WT300 series

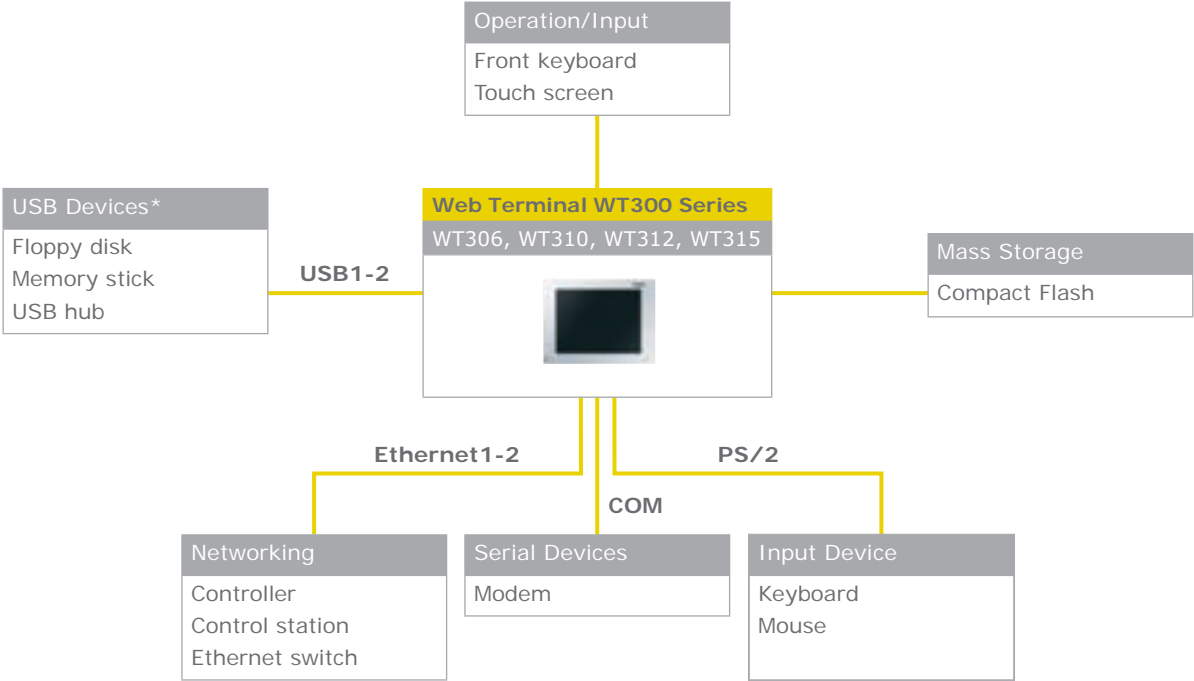
The WT300 web terminal series serves as a powerful platform for Java visualization. The web terminal is offered with a color TFT display and various screen diagonals. The front panel can be adapted to the specific requirements of the customers. The devices can be operated from a touch screen and / or a customised keyboard.

- Powerful
- Compact design
- Fan-free up to +50°C
- Visualization with Bachmann M-JVIS tool (Java-based)
- 6.4", 10", 12" or 15" color TFT monitor



Article No.	Order No.
WT306	on request
WT310	B-13592/00
WT312	on request
WT315	on request

Interfaces



* supported by VxWorks ®

WT300 Series

WT300 series	WT306	WT310
Display	6.4" VGA (640 x 480)	10.4" VGA (640 x 480)
Display type	color TFT	
Display luminance	300 cd/m ²	450 cd / m ²
Half luminance	min. 50 000 h	
Touch screen	optional	
Touch screen type	6.4" analog resistive	10.4" analog resistive
Processor system	AMD Geode LX800, 500 MHz	
Working memory	256 / 512 MB	
CF memory	≥ 512 MB	
CD-ROM (DVD)	USB connection	
FDD floppy drive	USB connection	
USB expansion	USB hub 4-fold	
Front keyboard	optional	
Number of front keys	max. 64	
System LEDs	Power, Diag, Caps Lock	
Status LEDs	optional: 11x	
PS/2 connection	1x	
Ethernet 10/100	2x	
USB 1.1	2x	
RS232	1x	
Power supply	24 VDC (18 V .. 36 V)	
Operating temperature*	0°C .. 50°C fan-free	
Certified to	CE, UL, CSA, CUL, CCC	
Operating system	WindRiver VxWorks®	
Visualization	M-JVIS Designer / Java	
Dimensions (W x H x D)	237 x 208 x 91 mm	314 x 237 x 94 mm

* other temperature ranges on request

Continuation WT300 Series

WT300 series	WT312	WT315
Display	12.1" SVGA (800x600)	15" XGA (1024x768)
Display type	color TFT	
Display luminance	350 cd/m ²	300 cd/m ²
Half luminance	min. 50 000 h	
Touch screen	optional	
Touch screen type	12.1" analog resistive	15" analog resistive
Processor system	AMD Geode LX800, 500 MHz	
Working memory	256 / 512 MB	
CF memory	≥ 512 MB	
CD-ROM (DVD)	USB connection	
FDD floppy drive	USB connection	
USB expansion	USB hub 4-fold	
Front keyboard	optional	
Number of front keys	max. 64	
System LEDs	Power, Diag, Caps Lock	
Status LEDs	optional: 11x	
PS/2 connection	1x	
Ethernet 10/100	2x	
USB 1.1	2x	
RS232	1x	
Power supply	24 VDC (18 V .. 36 V)	
Operating temperature*	0°C .. 50°C fan-free	
Certified to	CE, UL, CSA, CUL, CCC	
Operating system	WindRiver VxWorks®	
Visualization	M-JVIS Designer / Java	
Dimensions (W x H x D)	344 x 256 x 97 mm	409 x 312 x 97 mm

* other temperature ranges on request